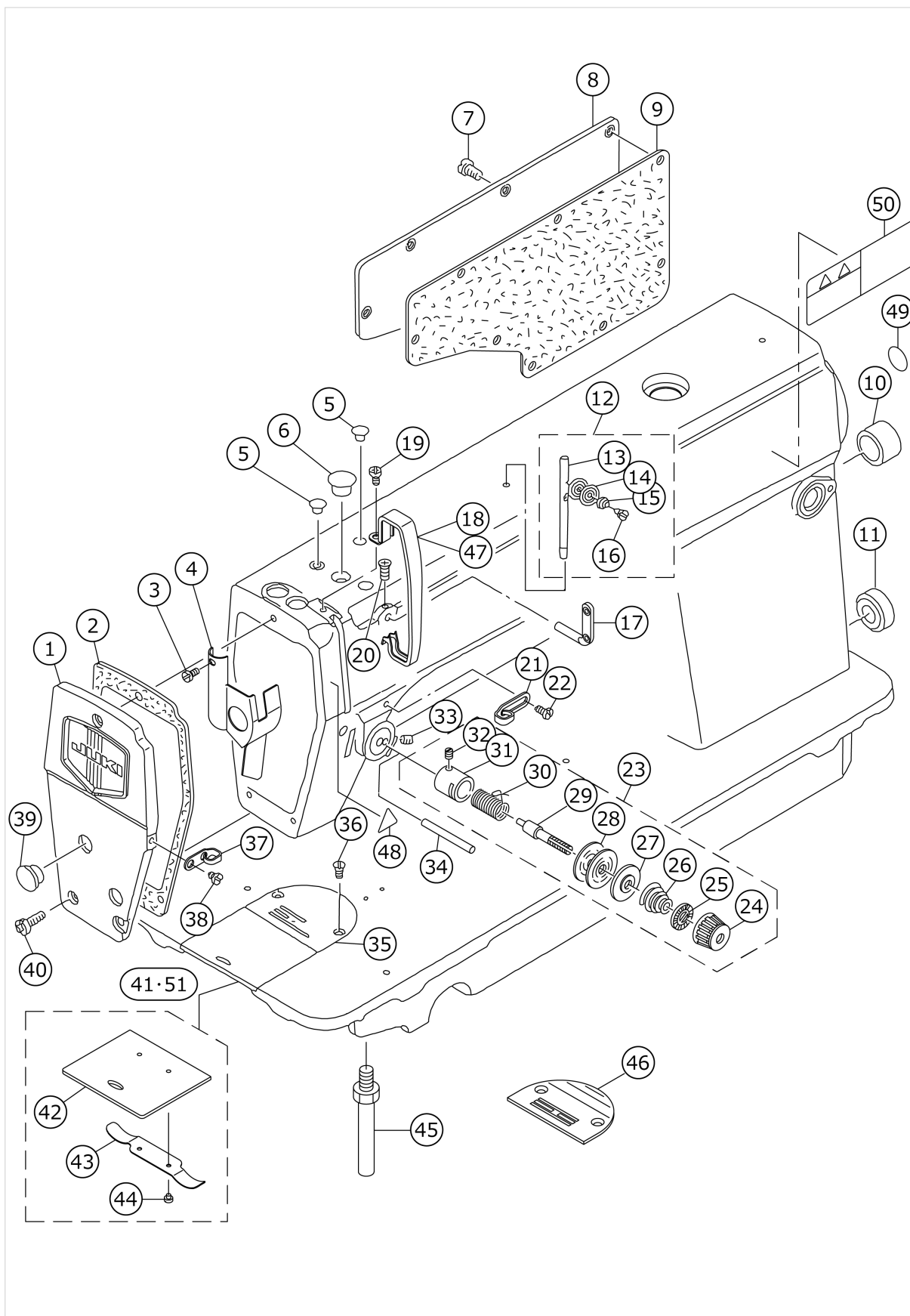


DDL-5550N SERIES

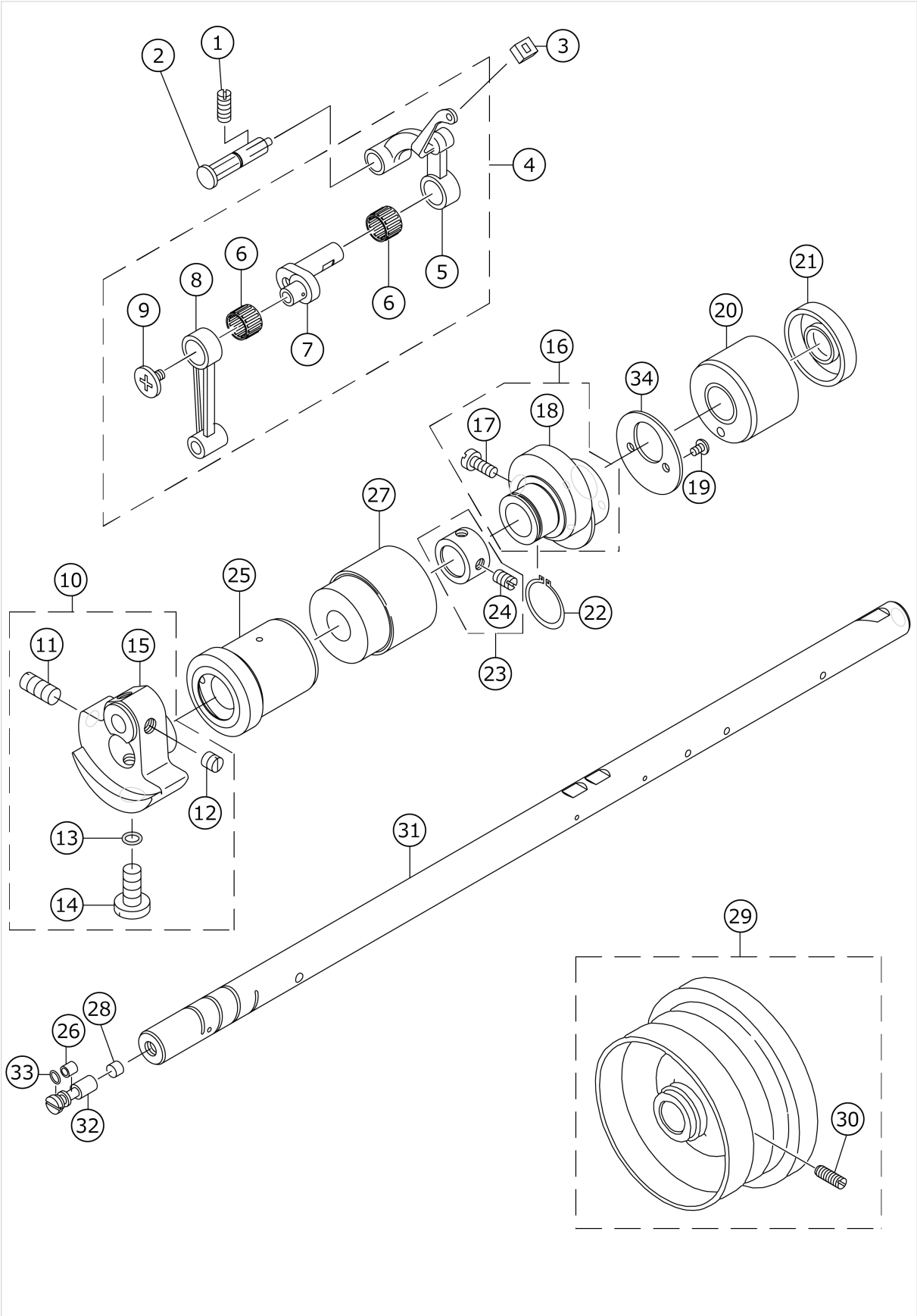
MACHINE FRAME & MISCELLANEOUS COVER COMPONENTS



No.	品番	品名	備考	子部品	消耗品	個数
1	11070851	FACE PLATE ASM.				1.00
2	11000304	FACE PLATE GASKET				1.00
3	SS6080410SP	SCREW 1/8-44 L=4				1.00
4	22900757	FACE PLATE OIL SHIELD ASM.				1.00
5	TA0850604R0	RUBBER PLUG				2.00
6	TA1250705R0	RUBBER PLUG				1.00
7	SS4120915SP	SCREW 3/16-28 L=9				8.00
8	22900401	WINDOW PLATE				1.00
9	11003308	GASKET				1.00
10	TA2000502R0	RUBBER PLUG				1.00
11	TA2101002R0	RUBBER PLUG				1.00
12	22932552	NEEDLE THREAD GUIDE PIN ASM.				1.00
13	22932503	THREAD GUIDE ROD		*		1.00
14	22932602	THREAD GUIDE DISK		*		2.00
15	22932701	THREAD GUIDE DISK SPRING		*		1.00
16	SD0380552SL	HINGE SCREW D=3.8 H=5.5		*		1.00
17	22920706	TWO EYELET				1.00
18	22900609	THREAD TAKE-UP LEVER COVER				1.00
19	SS4120615SP	SCREW 3/16-28 L=6				1.00
20	SS4120615SP	SCREW 3/16-28 L=6				1.00
21	22920508	ARM THREAD GUIDE A				1.00
22	22921001	SCREW				1.00
23	22945356	THREAD TENSION ASM.				1.00
24	22921308	THREAD TENSION NUT		*		1.00
25	22921407	ROTATION STOPPER		*		1.00
26	22921704	THREAD TENSION SPRING, A		*		1.00
27	22921803	DISK STOPPER		*		1.00
28	22921506	THREAD TENSION DISK		*		2.00
29	22921209	THREAD TENSION POST		*		1.00
30	22921605	THREAD TAKE-UP SPRING		*		1.00
31	22945307	THREAD TENSION POST BASE		*		1.00
32	SS8090670SP	SCREW 9/64-40 L= 5.5		*		1.00
33	SS8150710TP	SCREW 15/64-28 L=7				1.00
34	22920904	PIN				1.00
35	B1109012A00	THROAT PLATE (A)				1.00
36	SS2110920TP	SCREW 11/64-40 L=8.5				2.00
37	22920607	ARM THREAD GUIDE B				1.00
38	SS6110610TP	SCREW 11/64-40 L=6				1.00
39	TA1250406R0	RUBBER PLUG D=12.5 L=4				2.00
40	SS4120915SP	SCREW 3/16-28 L=9				3.00
41	22901250	SLIDE PLATE ASM.				1.00
42	22901201	SLIDE PLATE		*		1.00
43	22901300	SLIDE PLATE SPRING		*		1.00
44	SS6060210SP	SCREW 3/32-56 L= 1.9		*		2.00
45	22901003	BED SCREW STUD				4.00
46	B1109552000	THROAT PLATE	FOR JA,JH			1.00
47	11415205	THREAD TAKE-UP LEVER COVER(JE)	FOR JE			1.00
48	CM300200001	ATTENTION SEAL				1.00
49	22901805	GROUND MARK				1.00
50	CM301300001	SAFETY LABEL				1.00

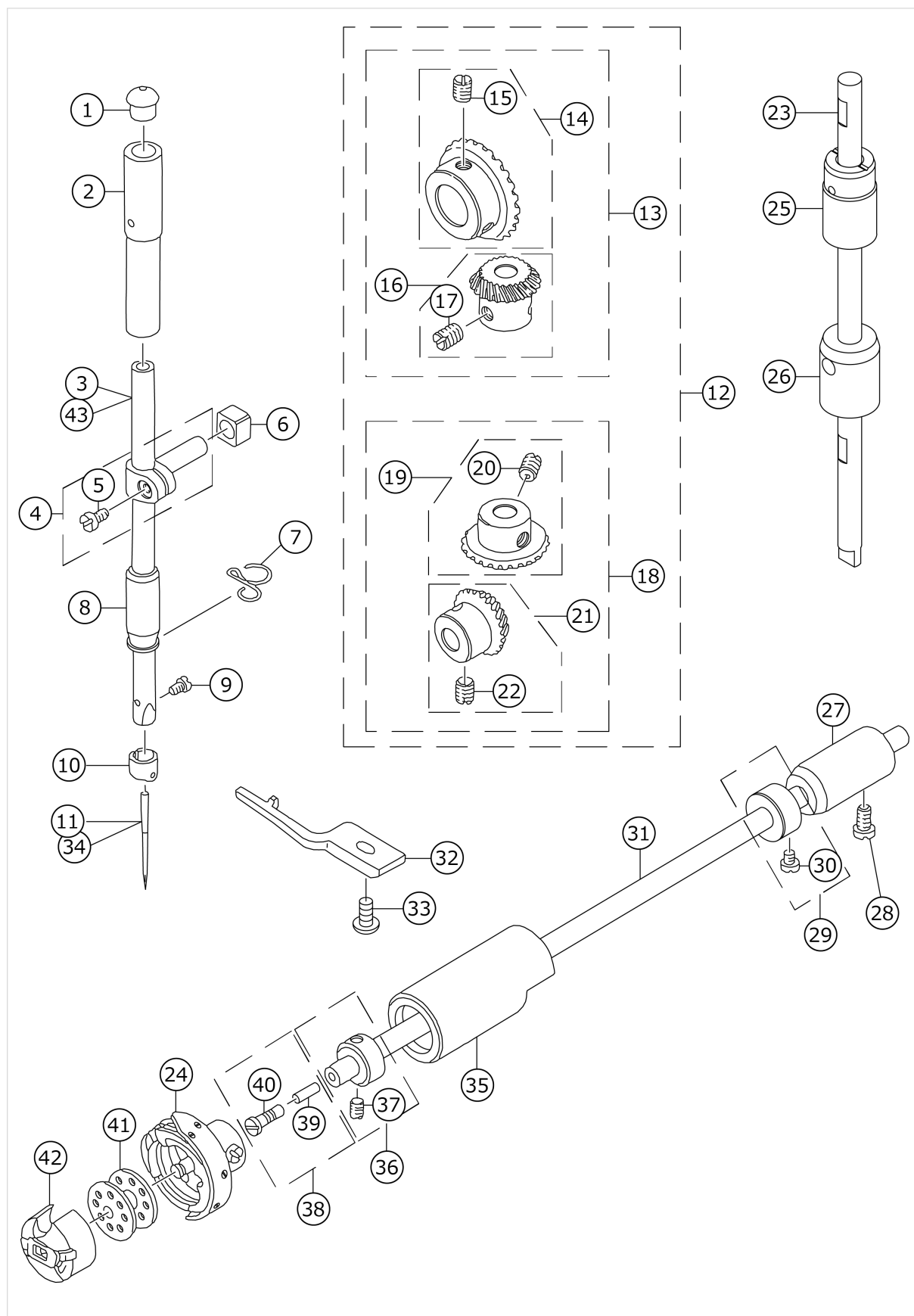
51	22902753	SLIDE PLATE ASM.	FOR JH			1.00
----	----------	------------------	--------	--	--	------

MAIN SHAFT & THREAD TAKE-UP LEVER COMPONENTS



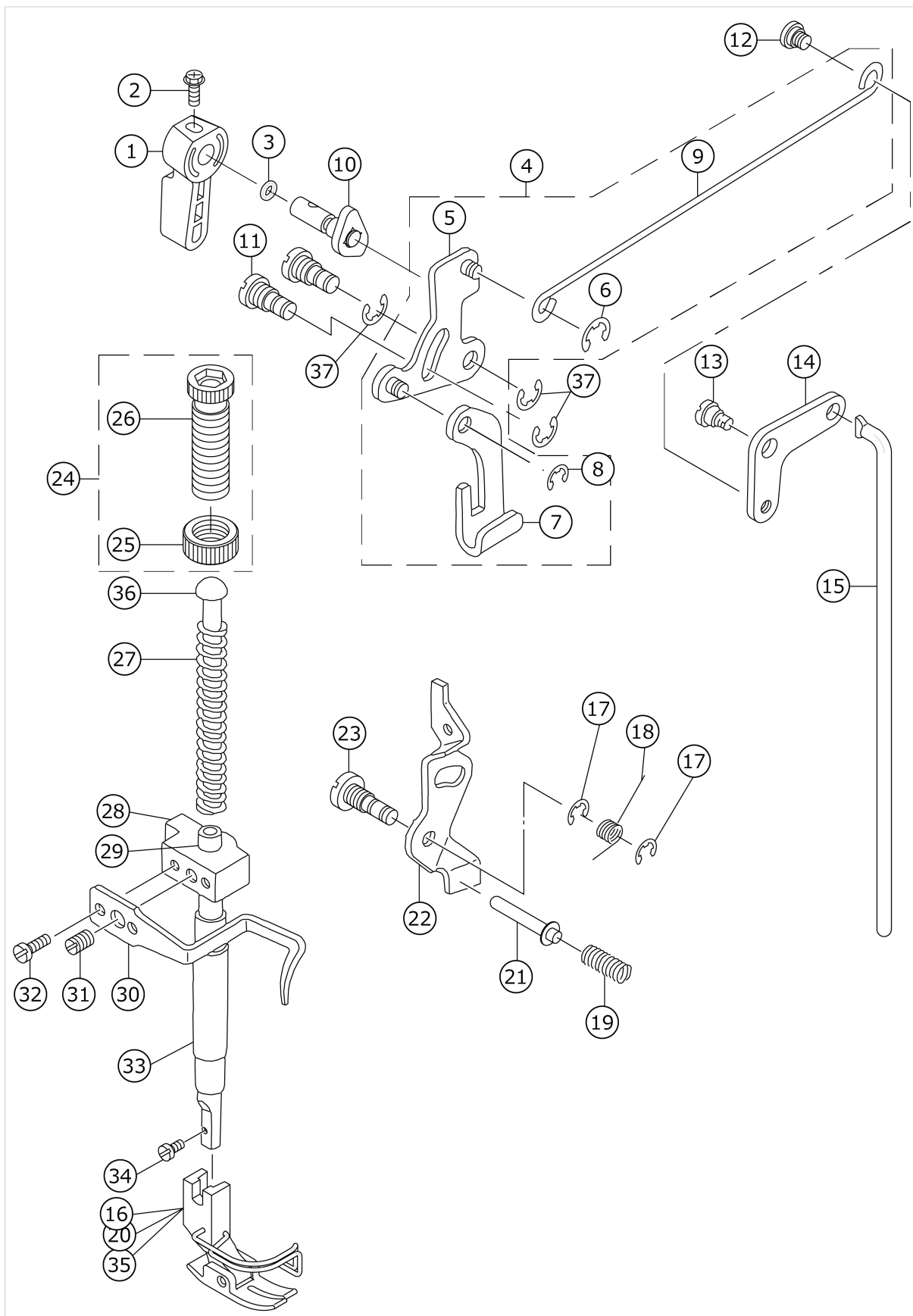
No.	品番	品名	備考	子部品	消耗品	個数
1	SS8151150TP	SCREW 15/64-28 L=10.5				1.00
2	22919559	THREAD TAKE-UP CRANK SHAFT ASM				1.00
3	22919203	OIL PROTECTING RUBBER				1.00
4	11039070	THREAD TAKE-UP LEVER ASM.				1.00
5	11039062	THREAD TAKE-UP LEVER ASM.		*		1.00
6	B1905541B00	NEEDLE BEARING	SELECTIVE PARTS	*		2.00
7	11005204	NEEDLE BAR CRANK		*		1.00
8	B1408552000	NEEDLE BAR CRANK ROD		*		1.00
9	B1903552000	LEFT SCREW		*		1.00
10	22903157	COUNTER WEIGHT ASM.				1.00
11	SS8681650TP	SCREW 9/32-28 L=16		*		1.00
12	SS8660610TP	SCREW 1/4-40 L=6		*		2.00
13	RO044240100	RUBBER RING		*		1.00
14	SS7681650TP	SCREW 9/32-28 L=16		*		1.00
15	22903108	COUNTER WEIGHT		*		1.00
16	22910053	FEED DRIVE ECCENTRIC CAM ASM.				1.00
17	SS6661110SP	SCREW 1/4-40 L=11		*		2.00
18	22910004	FEED DRIVE ECCENTRIC CAM		*		1.00
19	SS4090615SP	SCREW 9/64-40 L=6				2.00
20	11002409	MAIN SHAFT BUSHING, REAR				1.00
21	11002508	OIL SEAL				1.00
22	RC1850001KP	SNAP RING 18.5				1.00
23	22904155	MAIN SHAFT THRUST COLLAR ASM.				1.00
24	SS8660610TP	SCREW 1/4-40 L=6		*		2.00
25	22903207	MAIN SHAFT BUSHING, FRONT				1.00
26	B1215552000	OIL ADJUSTING COLLAR				1.00
27	22903306	BUSHING,INTERMEDIATE				1.00
28	11002904	ROLLER FELT				1.00
29	11071362	FLYWHEEL ASM.				1.00
30	SS8151550SP	SCREW 15/64-28 L=15		*		2.00
31	22903009	MAIN SHAFT				1.00
32	22903900	ADJUSTING PIN				1.00
33	RO029180100	RUBBER RING				1.00
34	22910103	THRUST COLLAR				1.00

NEEDLE BAR, UPRIGHT SHAFT & HOOK DRIVING SHAFT COMPONENTS



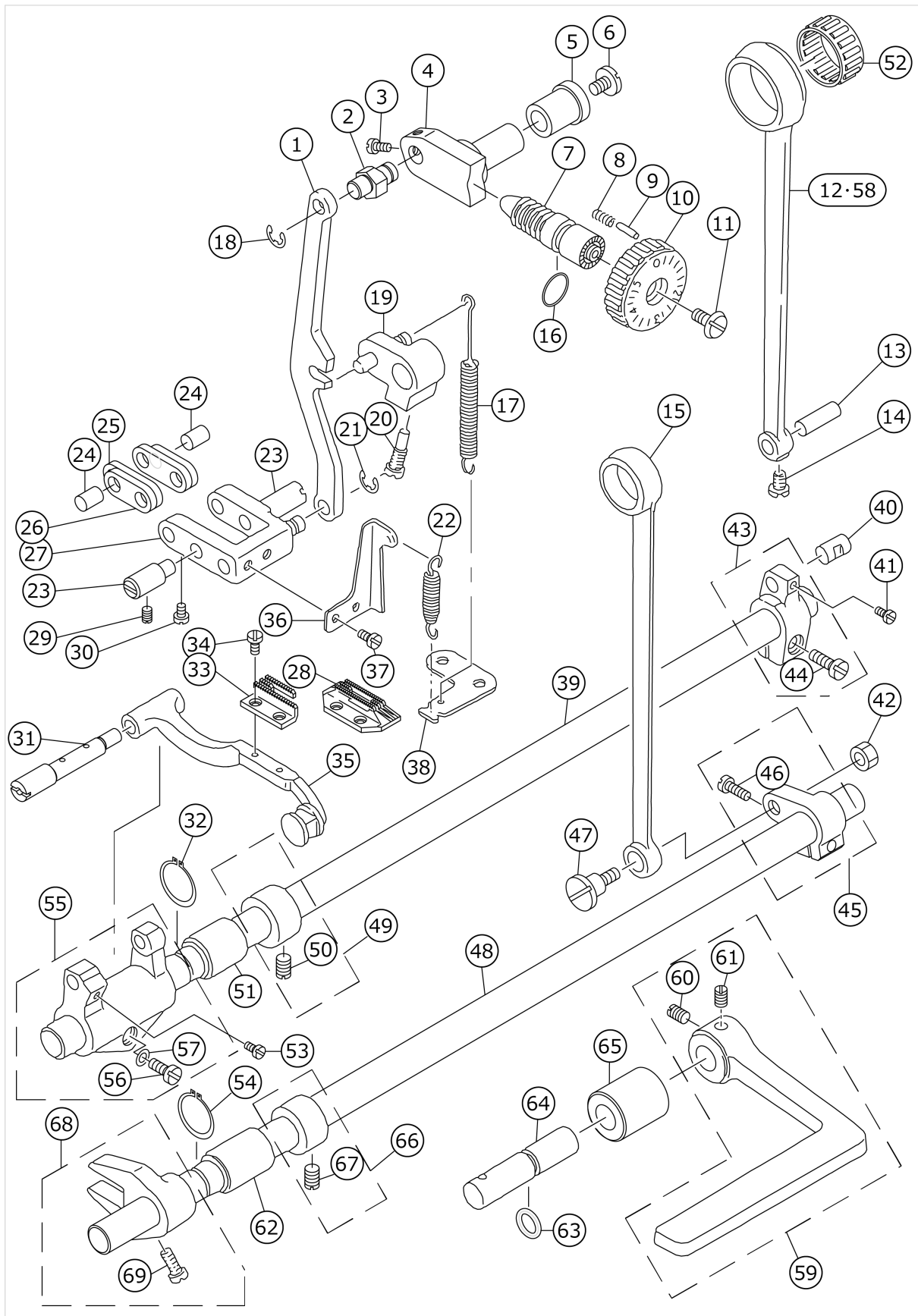
No.	品番	品名	備考	子部品	消耗品	個数
1	22901409	NEEDLE BAR UPPER BUSH CAP				1.00
2	22906101	NEEDLE BAR BUSHING, UPPER				1.00
3	22906002	NEEDLE BAR				1.00
4	22906457	NEEDLE BAR HOLDER ASM.				1.00
5	SS6090670TP	SCREW 9/64-40 L=6		*		1.00
6	40090058	SLIDE BLOCK				1.00
7	22920805	NEEDLE BAR THREAD GUIDE				1.00
8	22906200	NEEDLE BAR BUSHING, LOWER				1.00
9	SS7080510TP	SCREW 1/8-44 L=4.5				1.00
10	22906309	NEEDLE BAR THREAD GUIDE				1.00
11	MDB100B1400	NEEDLE DBX1 #14				1.00
12	B13061550C0	GEAR & PINION ASM.				1.00
13	B13061550B0	GEAR & PINION ASM., UPPER		*		1.00
14	B13050120A0	GEAR ASM.		*		1.00
15	SS8660810TP	SCREW 1/4-40 L=8		*		2.00
16	B13061550A0	PINION ASM.		*		1.00
17	SS8660810TP	SCREW 1/4-40 L=8		*		2.00
18	B13071550B0	GEAR & PINION ASM., LOWER		*		1.00
19	B13071550A0	GEAR ASM. LARGE		*		1.00
20	SS8660810TP	SCREW 1/4-40 L=8		*		2.00
21	B13081550A0	PINION ASM.		*		1.00
22	SS8660810TP	SCREW 1/4-40 L=8		*		2.00
23	22905004	UPRIGHT SHAFT				1.00
24	B18301270A0	HOOK ASM.				1.00
25	22905103	UPRIGHT SHAFT BUSHING, UPPER				1.00
26	11004207	UPRIGHT SHAFT BUSHING, LOWER				1.00
27	22916308	HOOK DRIVING SHAFT BUSH, REAR				1.00
28	SS4120915SP	SCREW 3/16-28 L=9				1.00
29	22917157	THRUST COLLAR ASM., REAR				1.00
30	SS6110420TP	SCREW 11/64-40 L=4.8		*		2.00
31	22916001	HOOK DRIVING SHAFT				1.00
32	22916407	BOBBIN CASE POSITIONING FINGER				1.00
33	SS4110915TP	SCREW 11/64-40 L=9				1.00
34	MC200500900	NEEDLE 134 90	FOR JE			1.00
35	22916100	HOOK DRIVING SHAFT BUSH, FRONT				1.00
36	22917058	THRUST COLLAR ASM., FRONT				1.00
37	SS8110410TP	SCREW 11/64-40 L= 3.5		*		2.00
38	22916555	OIL SEAL SCREW ASM.				1.00
39	11015906	OIL WICK		*		1.00
40	22916506	SET SCREW		*		1.00
41	22932909	BOBBIN				1.00
42	B18370120A0	BOBBIN CASE ASM.				1.00
43	11141108	NEEDLE BAR	FOR JE			1.00

HAND LIFTER COMPONENTS



No.	品番	品名	備考	子部品	消耗品	個数
1	22907802	HAND LIFTER				1.00
2	B1521555000	SCREW				1.00
3	RO037180100	RUBBER RING				1.00
4	22908354	KNEE LIFTING CROSS ROD ASM.				1.00
5	22908156	LIFTING LINK ASM.		*		1.00
6	RE0500000K0	E-RING		*		1.00
7	22908008	LIFTING PLATE		*		1.00
8	11007309	E-RING		*		1.00
9	22908305	KNEE LIFTER SIDE ROD		*		1.00
10	22908552	HAND LIFTER CAM ASM.				1.00
11	22908701	LINK SHAFT				1.00
12	22908909	HINGE SCREW				1.00
13	SD0720331SP	HINGE SCREW D= 7.24 H= 3.3				1.00
14	22908800	KNEE LIFTER LINK				1.00
15	22909006	KNEE LIFTER CONNECTING ROD				1.00
16	11028172	PRESSER FOOT ASM.	FOR USE IN JAPAN			1.00
17	RE0500000K0	E-RING				2.00
18	11018207	TENSION RELEASE RETURN SPRING				1.00
19	22920409	THREAD RELEASE PIN SPRING				1.00
20	B15245520BA	PRESSER FOOT ASM.	FOR JA			1.00
21	22920300	THREAD RELEASE SUPPORTING PIN				1.00
22	22920003	THREAD RELEASE PLATE				1.00
23	22920102	THREAD RELEASE				1.00
24	22907554	FEED REGULATOR SCREW NUT ASM.				1.00
25	22907604	PRESSER SPRING REGULATOR NUT		*		1.00
26	22907505	PRESSER SPRING REGULATOR		*		1.00
27	22907406	PRESSER SPRING				1.00
28	11006004	PRESSER BAR GUIDE BRACKET				1.00
29	40017805	PRESSER BAR				1.00
30	22907307	THREAD GUIDE				1.00
31	SS8660810TP	SCREW 1/4-40 L=8				1.00
32	SS6090910SP	SCREW 9/64-40 L=9				2.00
33	40060989	PRESSER BAR BUSHING LOWER				1.00
34	SS7091110TP	SCREW 9/64-40 L=10.5				1.00
35	B15240120BA	PRESSER FOOT ASM.				1.00
36	22907703	PRESSER GUIDE BAR				1.00
37	RE0500000K0	E-RING				3.00

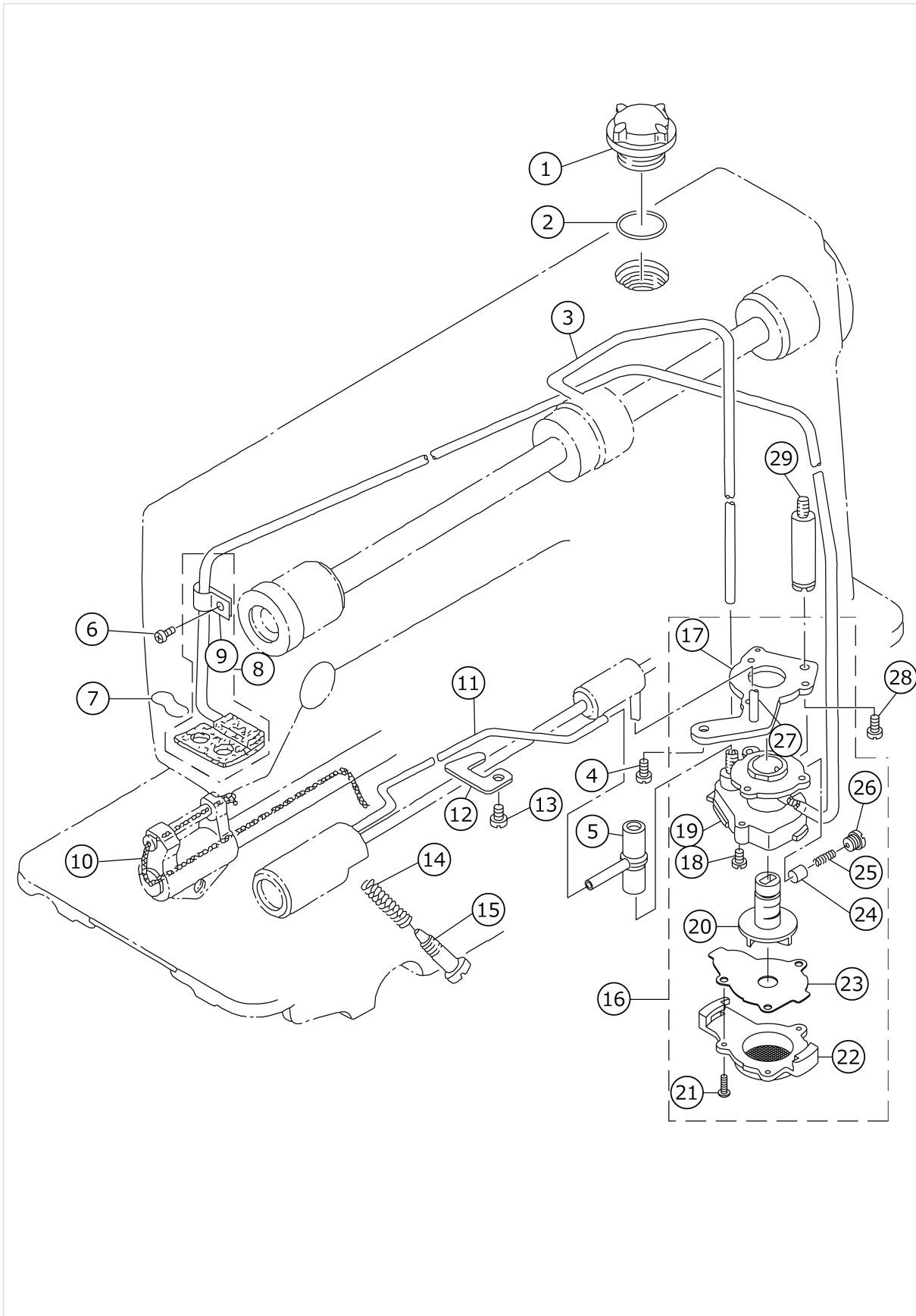
FEED MECHANISM COMPONENTS



No.	品番	品名	備考	子部品	消耗品	個数
1	22911408	FEED REGULATOR CONNCTING ROD				1.00
2	22911507	WALKING FOOT PIN C				1.00
3	SS6090670TP	SCREW 9/64-40 L=6				2.00
4	22911606	FEED REGULATOR				1.00
5	22911705	FEED REGULATOR BUSHING				1.00
6	SS7120770SH	SCREW 3/16-28 L=7				1.00
7	22911804	FEED REGULATOR SCREW				1.00
8	22912109	FEED REGULATOR PIN SPRING				1.00
9	22912000	FEED REGULATOR PIN				1.00
10	22911903	FEED DIAL				1.00
11	SS6121860SP	SCREW 3/16-28 L=18				1.00
12	22910251	ROCKER SHAFT CONNECTING ROD				1.00
13	22911101	WALKING FOOT PIN C				1.00
14	SS6090620TP	SCREW				1.00
15	22915003	CONNECTING ROD				1.00
16	RO092270200	RUBBER RING				1.00
17	11010311	FEED REVERSE SPRING				1.00
18	RE0500000K0	E-RING				1.00
19	22912257	FEED REVERSE ARM ASM.				1.00
20	11010410	FEED REVERSE ARM SCREW				1.00
21	RE0500000K0	E-RING				1.00
22	22911309	ADJUSTING LINK SPRING				1.00
23	22910806	ADJUST LINK FULCRUM SHAFT A				2.00
24	22910905	WALKING FOOT PIN A				2.00
25	11008703	WALKING FOOT LINK				2.00
26	11008604	CONNECTING LINK A				2.00
27	22910459	FEED ADJUSTING LINK ASM.				1.00
28	B1613012I00	FEED DOG I	FOR JA,JH			1.00
29	SS8150710TP	SCREW 15/64-28 L=7				2.00
30	SS6090620TP	SCREW				2.00
31	22940803	FEED BAR SHAFT				1.00
32	RC0150001KP	RETAINING RING 13.8				1.00
33	B1613012A00	FEED DOG A				1.00
34	SS4080620TP	SCREW 1/8-44 L=6				2.00
35	22971857	FEED BASE ASM.				1.00
36	22941306	REGULATOR LINK SPRING HOOK				1.00
37	SS4110515SP	SCREW 11/64-40 L=5				2.00
38	22913701	FEED SPRING HOOK				1.00
39	22912901	FEED ROCKER SHAFT				1.00
40	22911002	WALKING FOOT PIN B				1.00
41	SS6090620TP	SCREW				1.00
42	NS6680410SP	NUT 9/32-28				1.00
43	22910350	FEED ROCKER SHAFT CRANK ASM.				1.00
44	SS7121410TP	SCREW 3/16-28 L=14		*		1.00
45	22915151	FEED ARM COMPL.				1.00
46	SS7121610SP	SCREW 3/16-28 L=15.5		*		1.00
47	SD1000801SH	HINGE SCREW D=10 H=8				1.00
48	22915201	FEED DRIVING SHAFT				1.00
49	22904155	MAIN SHAFT THRUST COLLAR ASM.				1.00
50	SS8660610TP	SCREW 1/4-40 L=6		*		2.00

51	22913008	FEED ROCKER SHAFT BUSHING				1.00
52	B1636581C00	NEEDLE BEARING	FOR JE,JA & SE LECTIVE PARTS(A ~ D)			1.00
53	SS7110740TP	SCREW 11/64-40 L=7				1.00
54	RC0150001KP	RETAINING RING 13.8				1.00
55	22940654	FEED ROCKER ASM.				1.00
56	SS7121410TP	SCREW 3/16-28 L=14		*		1.00
57	WP0480856SP	WASHER 4.8X8.4X0.8		*		1.00
58	11011400	HORIZONTAL FEED ROD (A)	FOR JE,JA			1.00
59	22912752	FEED LEVER ASM.				1.00
60	SM8061010TP	SCREW		*		1.00
61	SM8061050TP	SCREW		*		1.00
62	22913008	FEED ROCKER SHAFT BUSHING				1.00
63	RO078190100	RUBBER RING				1.00
64	22912604	FEED REVERSE SHAFT				1.00
65	11010709	FEED LEVER METAL				1.00
66	22904155	MAIN SHAFT THRUST COLLAR ASM.				1.00
67	SS8660610TP	SCREW 1/4-40 L=6		*		1.00
68	22915359	DRIVING SHAFT CRANK ASM.				1.00
69	SS7111120SP	SCREW 11/64-40 L=10.5		*		1.00

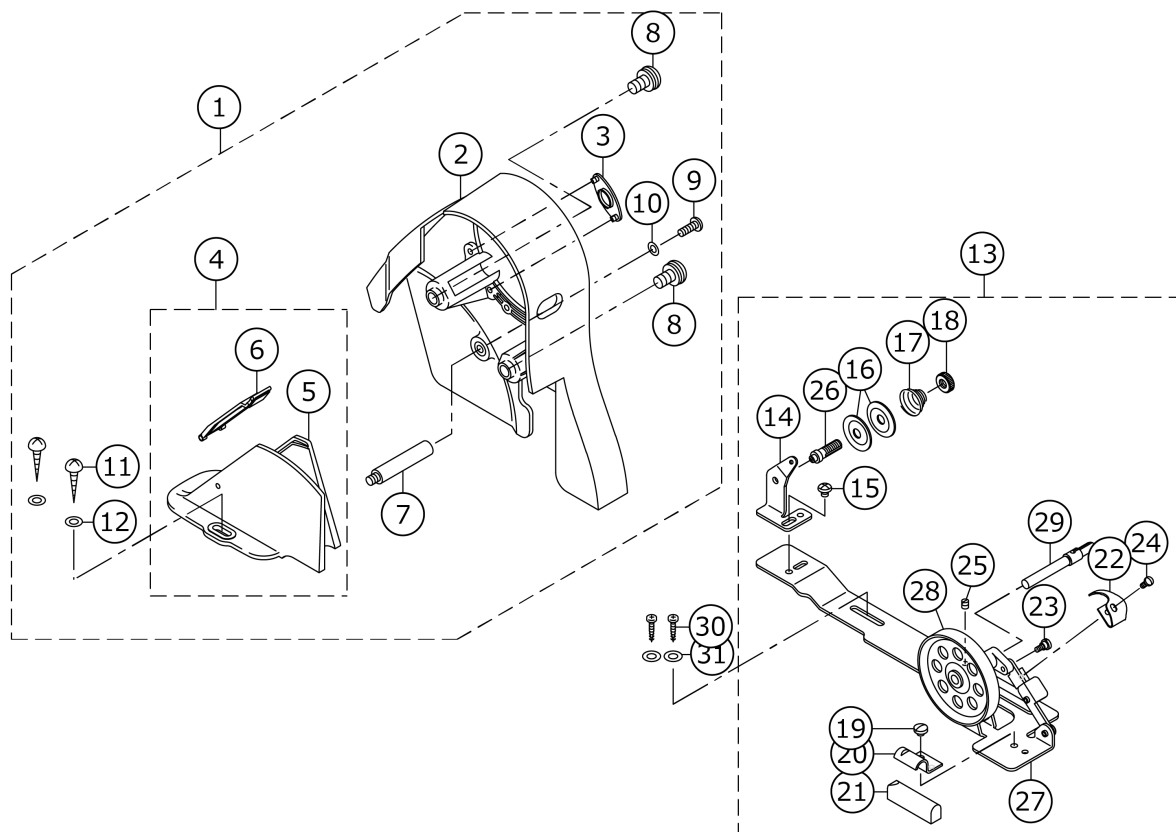
OIL LUBRICATION COMPONENTS



No.	品番	品名	備考	子部品	消耗品	個数
1	22924708	OIL SIGHT WINDOW				1.00
2	RO195240100	RUBBER RING				1.00
3	22924401	MAIN SHAFT OIL TUBE				1.00
4	SS4150915SP	SCREW 15/64-28 L=9				1.00
5	22924609	RUBBER JOINT				1.00
6	SS4120615SP	SCREW 3/16-28 L=6				1.00
7	22925101	OIL FELT PRESSER				1.00
8	22924153	RETURN PIPE ASM.				1.00
9	22924302	RETURN PIPE HOLDER		*		1.00
10	CQ252000000	OIL WICK				0.30
11	22924500	HOOK OIL TUBE				1.00
12	22924807	PIPE HOLDER, LOWER				1.00
13	SS4150915SP	SCREW 15/64-28 L=9				1.00
14	22924906	OIL REGULATOR SCREW SPRING				1.00
15	22925002	OIL REGULATOR SCREW				1.00
16	22923056	OIL PUMP ASM.				1.00
17	22923304	PUMP BODY INSTALLING PLATE		*		1.00
18	SL4030851SF	SCREW M3 L=8		*		3.00
19	22923007	PUMP BODY		*		1.00
20	22923700	IMPELLER		*		1.00
21	SE4301041SR	SCREW D=3 L=10		*		3.00
22	22923205	PUMP BODY COVER		*		1.00
23	22923809	PUMP BODY SUPPORT PLATE		*		1.00
24	22923403	PLUNGER		*		1.00
25	22923601	PLUNGER SPRING		*		1.00
26	22923502	PLUNGER SCREW		*		1.00
27	22923908	HOOK DRIVING SHAFT OILING PIPE		*		1.00
28	SS6111010TP	SCREW 11/64-40 L= 9.5				1.00
29	22924005	PUMP BODY STRUT				1.00

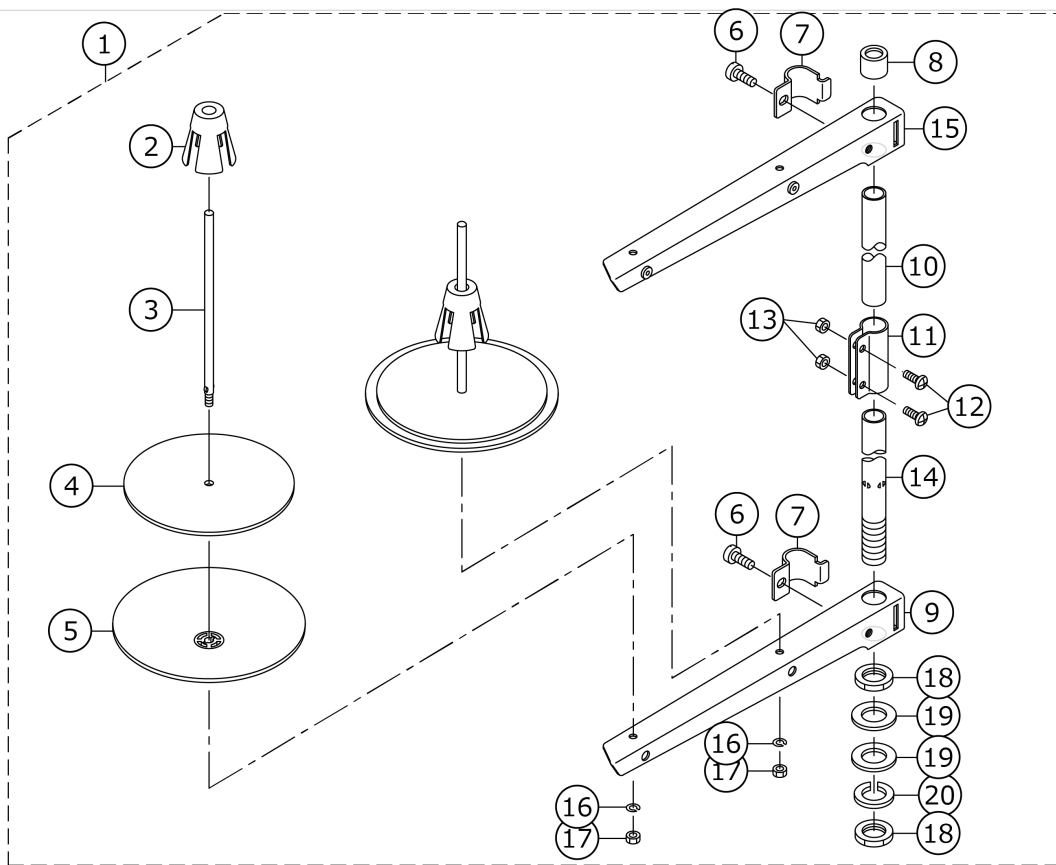
No.	品番	品名	備考	子部品	消耗品	個数
1	11047057	OIL RESERVOIR ASM.				1.00
2	11023017	OIL RESERVOIR		*		1.00
3	11024700	GASKET		*		1.00
4	11047107	RUBBER CUSHION		*		4.00
5	SS6700710SH	SCREW 5/16-24 L=7		*		1.00
6	RO098240100	RUBBER RING		*		1.00
7	22932156	KNEE LIFTER ROTATION ARM ASM.		*		1.00
8	22932107	KNEE LIFTER ROTATION ARM		*		1.00
9	NM6060001SE	NUT M6		*		2.00
10	SM8063012TR	SCREW M6 L=30		*		2.00
11	22932453	BRACKET ASM.		*		1.00
12	22932404	BRACKET		*		1.00
13	22934707	SCREW		*		2.00
14	SM9062563TR	SCREW M6 L=25		*		1.00
15	22932206	SPRING		*		1.00
16	RE1000000K0	E-RING 10		*		1.00
17	22932305	KNEE PRESS ROD		*		1.00
18	NM6060001SE	NUT M6		*		1.00
19	22934251	KNEE PAD PLATE ASM.				1.00
20	22934202	KNEE PAD PLATE		*		1.00
21	22934301	KNEE PAD PLATE SUPPORT		*		1.00
22	SM9061203SE	SCREW M6 L=12		*		1.00
23	22934509	KNEE PAD PLATE COVER		*		1.00
24	22934608	KNEE PAD UPRIGHT SHAFT		*		1.00
25	22934400	KNEE PAD PLATE RUBBER		*		1.00
26	B8228125000	OIL RESERVOIR MAGNET				1.00
27	22931703	KNEE LIFTER PUSH ROD				1.00

BELT COVER & BOBBIN WINDER COMPONENTS



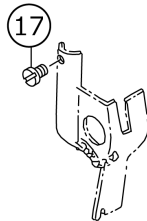
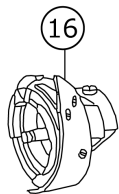
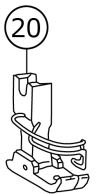
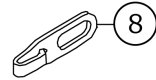
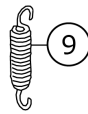
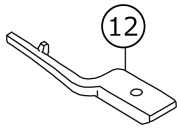
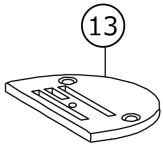
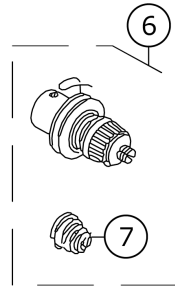
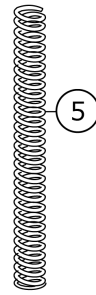
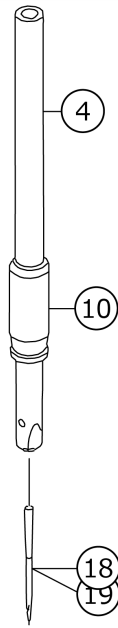
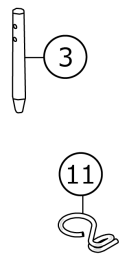
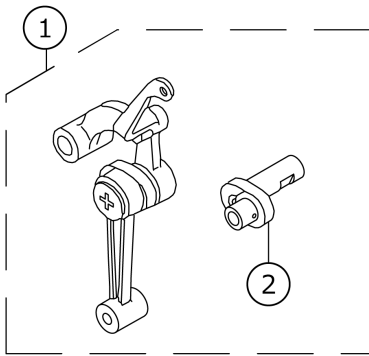
No.	品番	品名	備考	子部品	消耗品	個数
1	22933451	BELT COVER ASM.				1.00
2	22933402	BELT COVER A		*		1.00
3	22933501	BELT COVER A CAP		*		1.00
4	22933659	BELT COVER B COMPL.		*		1.00
5	22933600	BELT COVER B		*		1.00
6	22933758	BELT COVER B LID ASM.		*		1.00
7	22933907	BELT COVER STRUT		*		1.00
8	22934004	SET SCREW		*		2.00
9	SS4121415SP	SCREW 3/16-28 L=14		*		1.00
10	WP0501016SD	WASHER 5X10.5X1		*		1.00
11	SK3412000SC	WOOD SCREW D=4.1 L=20		*		2.00
12	WP0450826SC	WASHER 4.5X10X0.8		*		2.00
13	22927354	BOBBIN WINDER COMPL.				1.00
14	22928501	THREAD TENSION POST BASE		*		1.00
15	SS4110515SP	SCREW 11/64-40 L=5		*		1.00
16	22928907	THREAD TENSION DISK		*		2.00
17	22929004	THREAD TENSION SPRING		*		1.00
18	22928808	NUT		*		1.00
19	SS7110350SP	SCREW 11/64-40 L=3.5		*		1.00
20	22928402	CONTROL RUBBER HOLDING PLATE		*		1.00
21	22928303	CONTROL RUBBER		*		1.00
22	22928105	BOBBIN PRESSER		*		1.00
23	SD0490261SP	HINGE SCREW D=4.9 H=2.6		*		1.00
24	SS7081310SP	SCREW 1/8-44 L=12.5		*		1.00
25	SS8110510SP	SCREW 11/64-40 L=5		*		1.00
26	22928709	THREAD TENSION POST		*		1.00
27	22927305	BOBBIN WINDER BASE		*		1.00
28	22927404	BOBBIN WINDER		*		1.00
29	22927602	BOBBIN WINDER SPINDLE		*		1.00
30	SK3412000SC	WOOD SCREW D=4.1 L=20				2.00
31	WP0450826SC	WASHER 4.5X10X0.8				2.00

THREAD STAND COMPONENTS



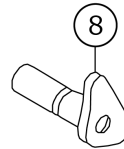
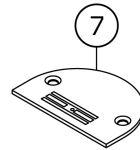
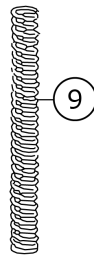
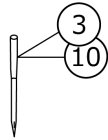
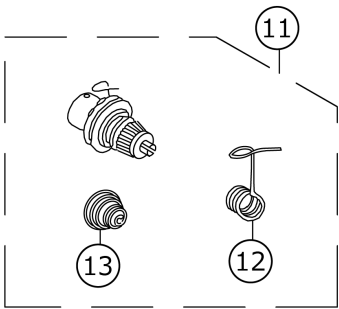
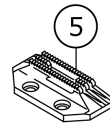
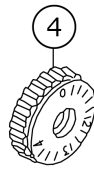
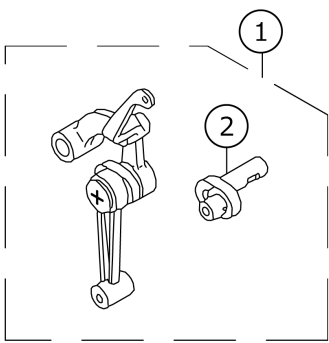
No.	品番	品名	備考	子部品	消耗品	個数
1	22930358	THREAD STAND ASM.				1.00
2	22931109	SPOOL RETAINER		*		2.00
3	22931000	SPOOL PIN		*		2.00
4	22930903	SPOOL REST CUSHION		*		2.00
5	22930804	SPOOL REST		*		2.00
6	SM6061610SC	SCREW M6 L=16		*		2.00
7	22930705	THREAD GUIDE ARM JOINT		*		2.00
8	22931406	SPOOL REST ROD RUBBER CAP		*		1.00
9	22930507	SPOOL REST ARM		*		1.00
10	22930408	SPOOL REST ROD, UPPER		*		1.00
11	22931307	SPOOL REST ROD JOINT		*		1.00
12	SM4051405SE	SCREW M5 L=14		*		2.00
13	NM6050001SE	NUT M5		*		2.00
14	22930309	SPOOL REST ROD, LOWER		*		1.00
15	22930556	THREAD STANDING ARM ASM.		*		1.00
16	WS0510002KN	SPRING WASHER		*		2.00
17	NM6050001SE	NUT M5		*		2.00
18	NM6160511SE	NUT M16X1.5		*		2.00
19	WP1612616SE	WASHER 16X30X2.6		*		2.00
20	WS1643202KR	SPRING WASHER		*		1.00

EXCLUSIVE PARTS FOR DDL-5550NH



No.	品番	品名	備考	子部品	消耗品	個数
1	11091659	LINK THREAD TAKE-UP LEVER ASM.				1.00
2	11091600	NEEDLE BAR CRANK H		*		1.00
3	22958300	NEEDLE THREAD GUIDE PIN				1.00
4	11091303	NEEDLE BAR				1.00
5	B1505552000A	PRESSER SPRING				1.00
6	22962054	THREAD TENSION ASM.				1.00
7	22962005	THREAD TENSION SPRING		*		1.00
8	11091006	ARM THREAD GUIDE (HA)				1.00
9	11091204	ADJUST LINK SPRING				1.00
10	B1403553000	NEEDLE BAR BUSHING, LOWER				1.00
11	40023223	NEEDLE BAR THREAD GUIDE				1.00
12	11091709	POSITIONING FINGER				1.00
13	B1109555H0B	THROAT PLATE (H)				1.00
14	B1613555H00	FEED DOG (H)				1.00
15	B1213552000A	OIL ADJUSTING PIN				1.00
16	11092459	LUBRICATING HOOK ASM.				1.00
17	SS6080320SP	SCREW 1/8-44 L= 2.5				1.00
18	MC200501300	NEEDLE 134 NM130	FOR JE			1.00
19	MDB100B2100	NEEDLE DBX1 #21				1.00
20	D1524555EBL	PRESSER FOOT ASM.				1.00
21	11091907	FEED SPRING HOOK				1.00

EXCLUSIVE PARTS FOR DDL-5550NA



No.	品番	品名	備考	子部品	消耗品	個数
1	11091857	LINK THREAD TAKE-UP LEVER ASM.				1.00
2	11091808	NEEDLE BAR CRANK A		*		1.00
3	MC200500650	NEEDLE 134 NM65	FOR JE			1.00
4	11072006	FEED DIAL				1.00
5	B1613012I00	FEED DOG I				1.00
6	22964001	BOBBIN A				1.00
7	B1109012I0B	THROAT PLATE (I)				1.00
8	11092558	HAND LIFTER CAM ASM.				1.00
9	B1505227T00A	PRESSER SPRING T				1.00
10	MDA100B0900	NEEDLE DAX1 #9				1.00
11	40011503	THREAD TENSION ASM.				1.00
12	40054784	THREAD TAKE-UP SPRING		*		1.00
13	40054785	THREAD TENSION SPRING		*		1.00

HOW TO MAKE USE OF THIS PARTS LIST

1.Explanation of codes

1)"*"mark.....means this part is changed from the previous parts book.

As to the details of the change, refer to the "List for information of change".

2)"#01".....refer to "Note" explanation at bottom of page.

2.Codes on the "Qty" column

· Each numeral indicates the number of parts required.

· "0.1" and "2.5" indicate the length (in meters) of the respective parts.

3.Parentheses mean that the corresponding part is a subpart that constructs an assembly part.

4.Dotted lines on the Figures indicate assembly parts.

1."注記"欄の記号説明

1) "*"印.....前回のパーツブックに比較して今回変更された部品を意味します。

変更内容は、"変更情報リスト"を参照してください。

2) "#01".....ページ下の"注記"の説明を参照してください。

2.数量欄の数字は、個数を表し、0.1、2.5等の数値は、長さ（単位メートル）を表します。

3.数量欄の（ ）は、組部品を構成している子部品であることを意味します。

4.イラストページの-----枠は、組構成であることを意味します。